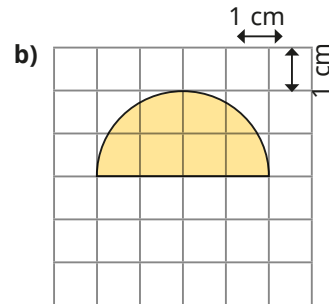
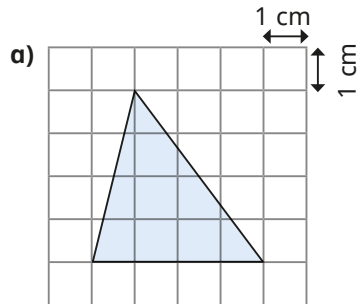
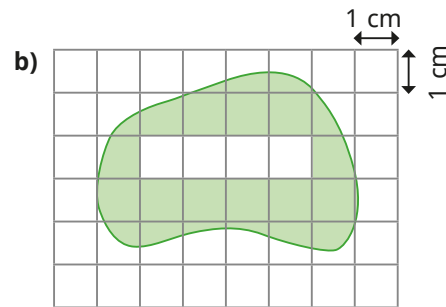
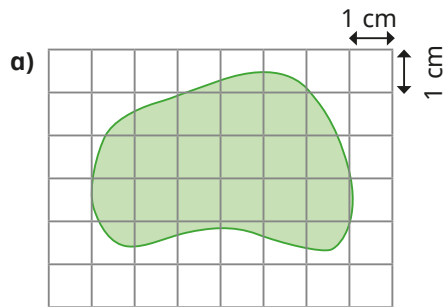


- 1 On the grids, the area of each square is 1 cm^2 .
Estimate the area of each shape.



- 2 Estimate the area of each shape.

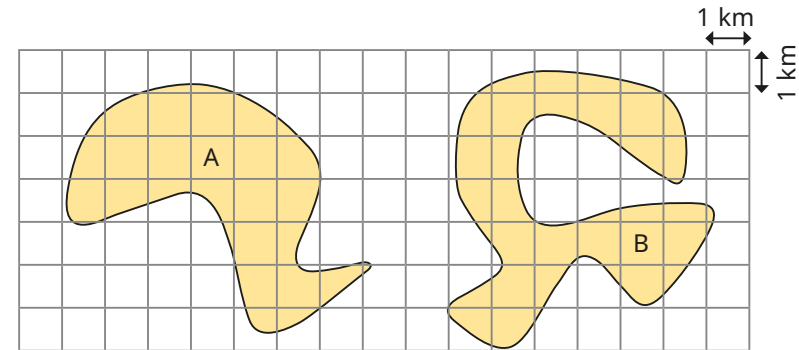


Compare your estimates with a partner's.

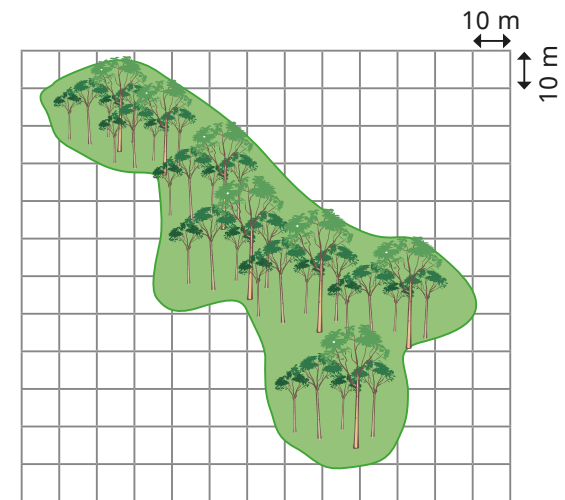
- 3
- On a centimetre-squared grid, draw around your closed hand and estimate the area.
 - On a centimetre-squared grid, draw around your open hand and estimate the area.
 - Compare your estimates for a) and b). Do you notice anything?



- 4 Here is the outline of two islands.
Each square on the grid represents 1 km^2 of land.
Which island has the greater area and how much greater is it?



- 5 This is the outline of a large forest.



Estimate the area of the forest.

