

# Draw lines and angles accurately



1 Draw each of the angles accurately.  
Use the line provided as part of your angle.

a)  $60^\circ$



b)  $85^\circ$



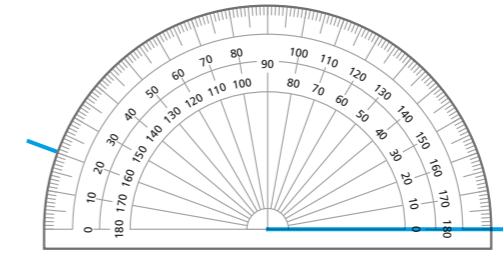
c)  $110^\circ$



d)  $143^\circ$



2 Dexter is asked to draw an angle of 20 degrees.  
He marks a point as shown.

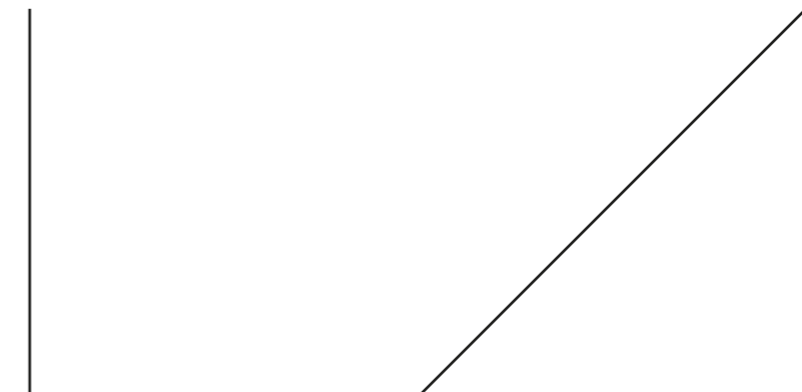


What mistake has Dexter made?

---

---

3 Draw an angle of  $100^\circ$  on each line.  
Use the lines to form part of the angle.



Compare answers with a partner.

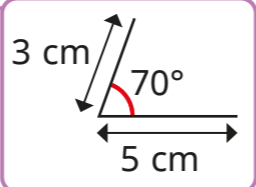


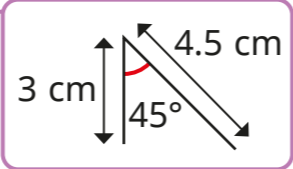


- 4 Draw three angles that all measure  $55^\circ$ .  
Each angle should be in a different orientation.



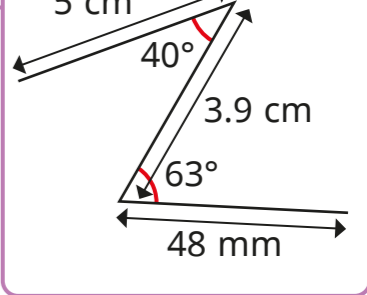
- 5 Draw these lines and angles accurately using a ruler and protractor.

a) 

b) 

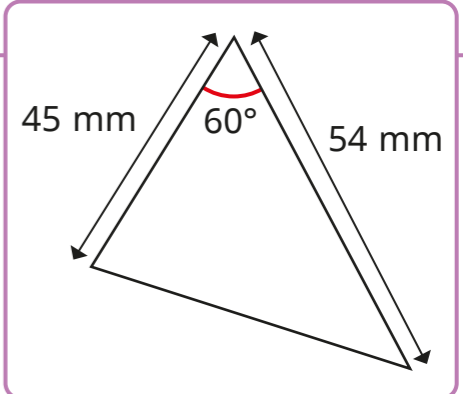


- 6 Make an accurate drawing of the shape.





- 7 Draw the triangle accurately and work out its perimeter.



perimeter =  mm