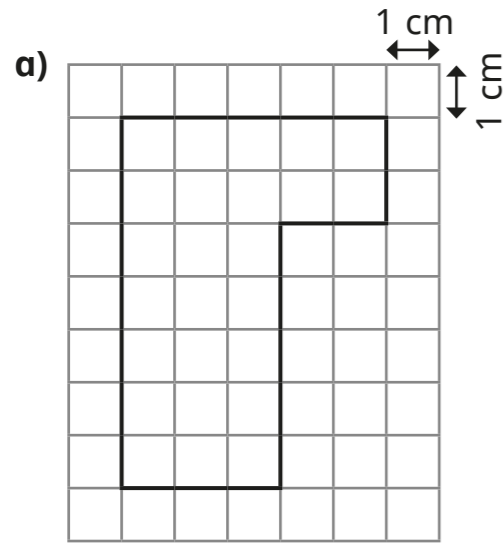
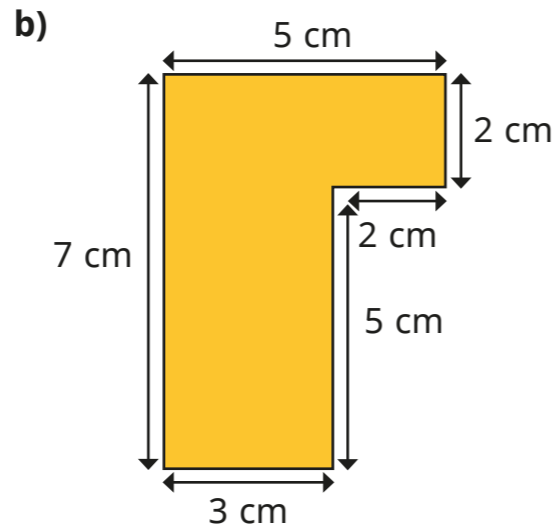


Perimeter of rectilinear shapes

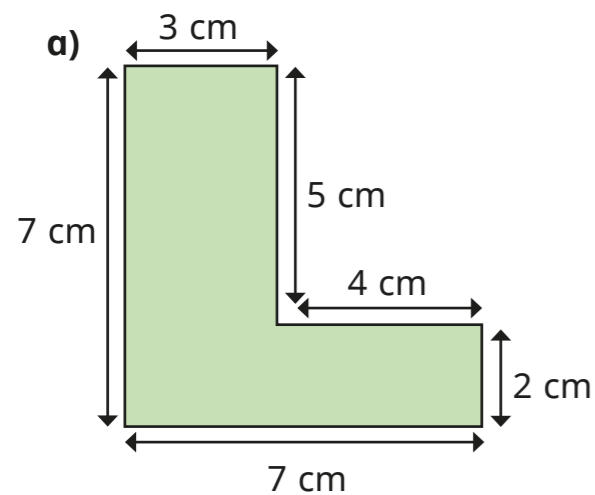
1 Work out the perimeter of each shape.

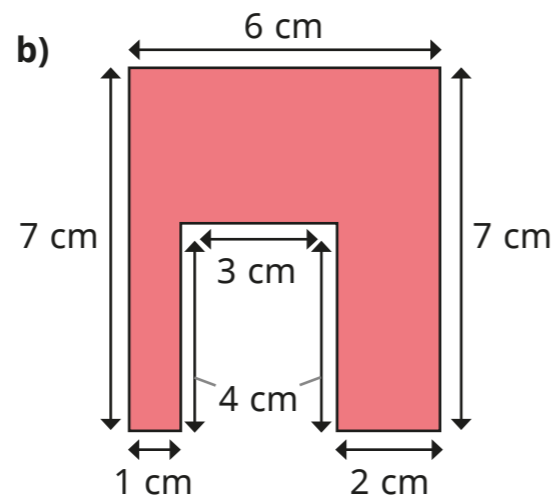


What do you notice?

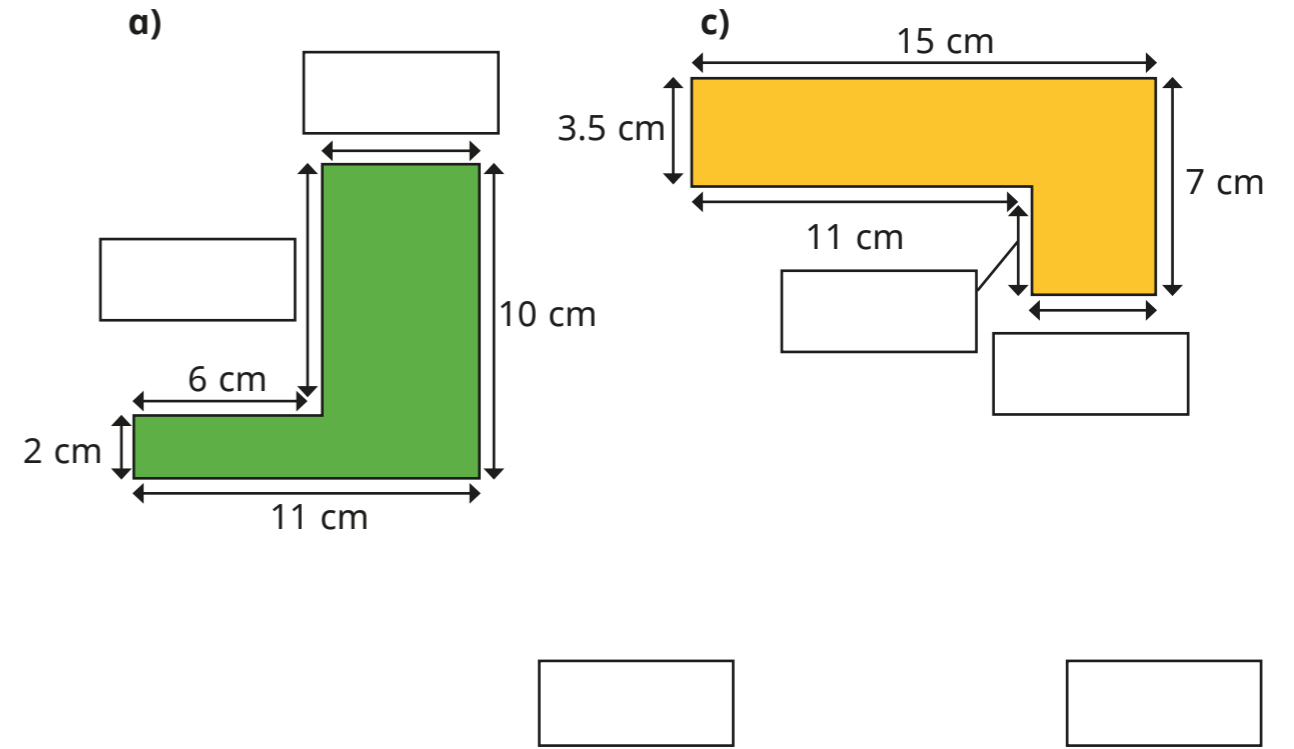


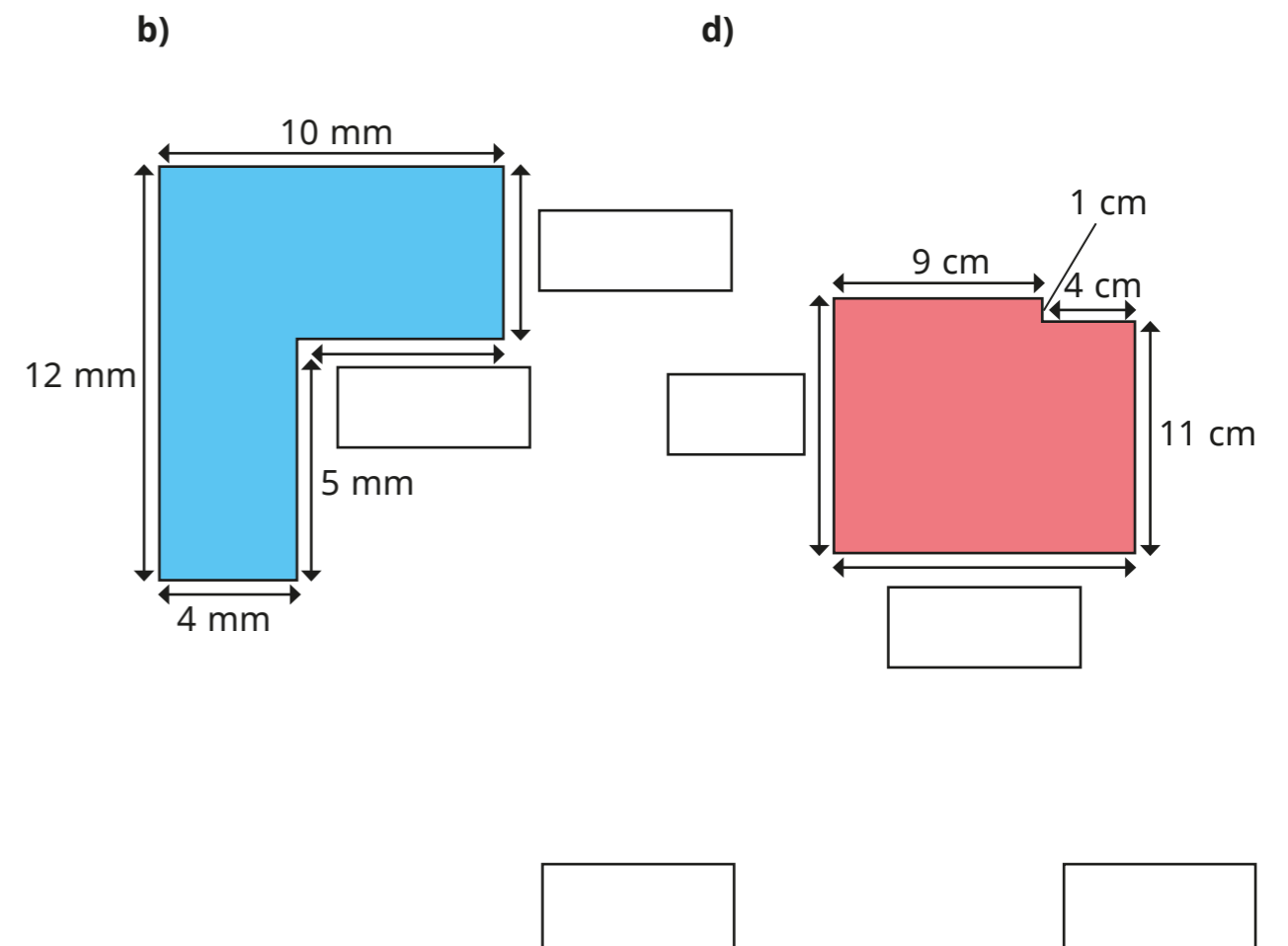
2 Calculate the perimeters of the shapes.



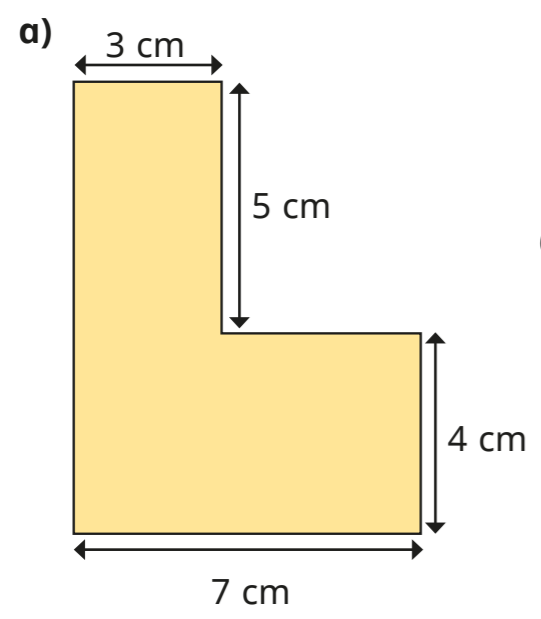


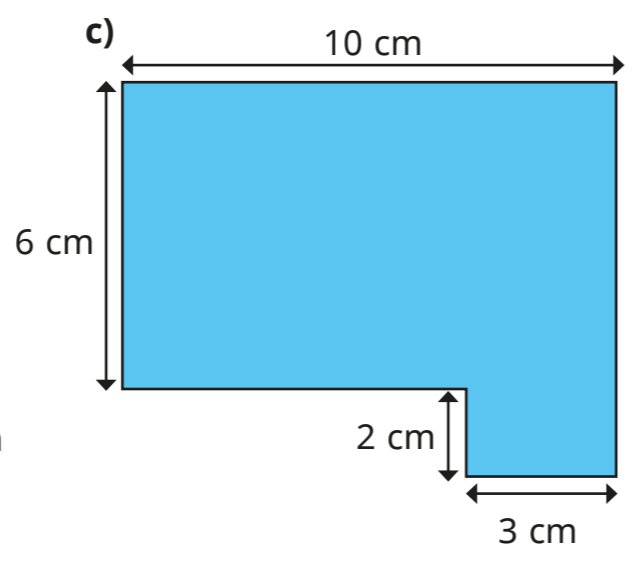
3 Work out the missing lengths on the shapes. Then calculate the perimeter of each shape.

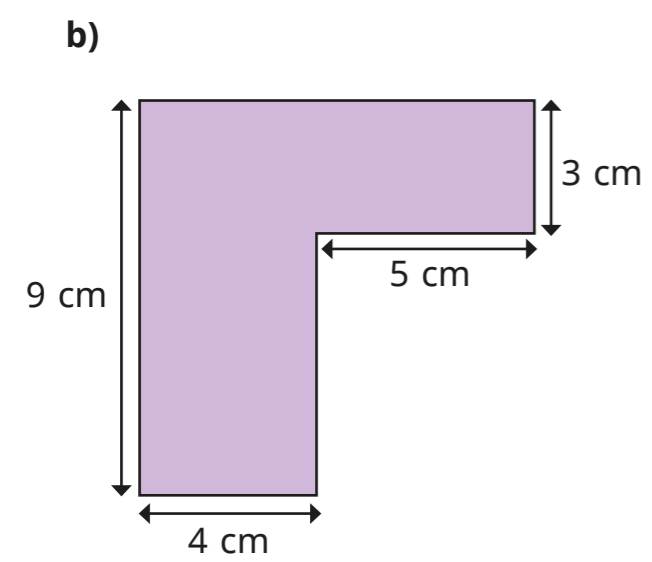


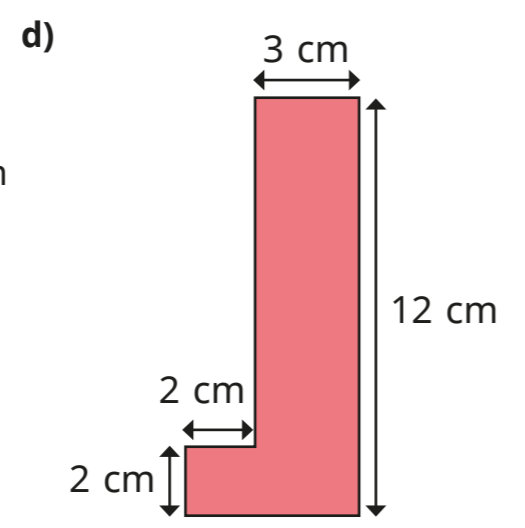


4 Work out the perimeters of the shapes.

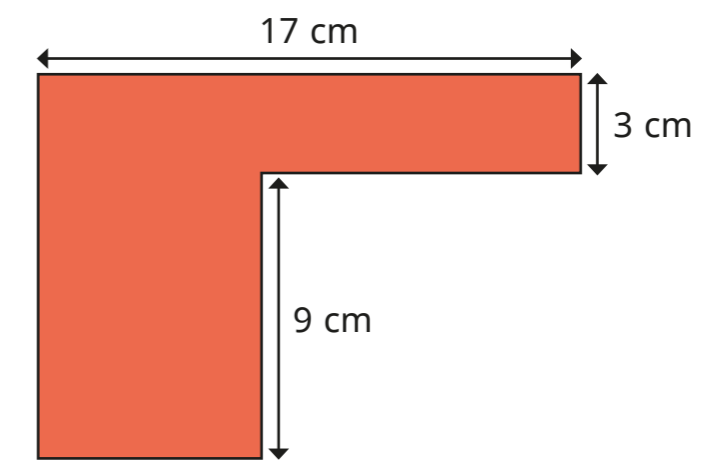






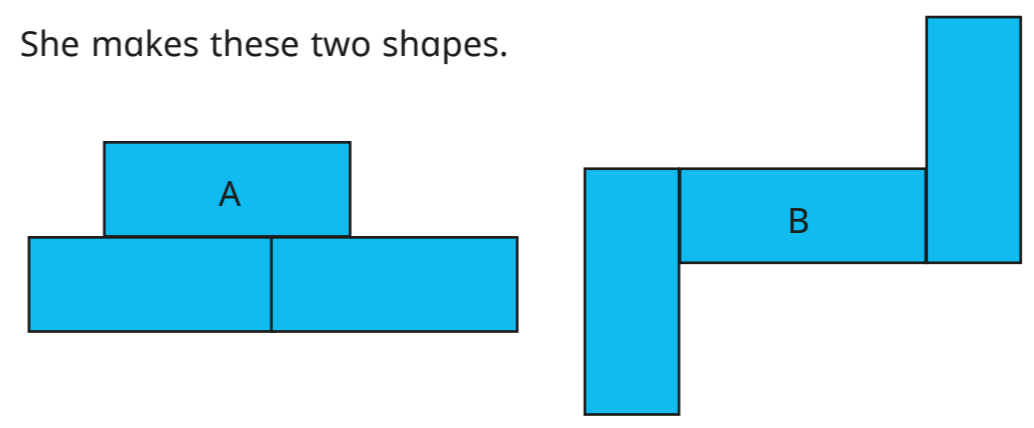


5 Tiny thinks that there is not enough information to calculate the perimeter of the shape.



Is Tiny correct? How do you know?

6 Rosie is making shapes made up of three rectangles. Each rectangle has a length of 10 cm and a width of 4 cm. She makes these two shapes.



a) Which shape has the greater perimeter? _____

b) What other shapes can you make with three rectangles?
What is the perimeter of each shape?