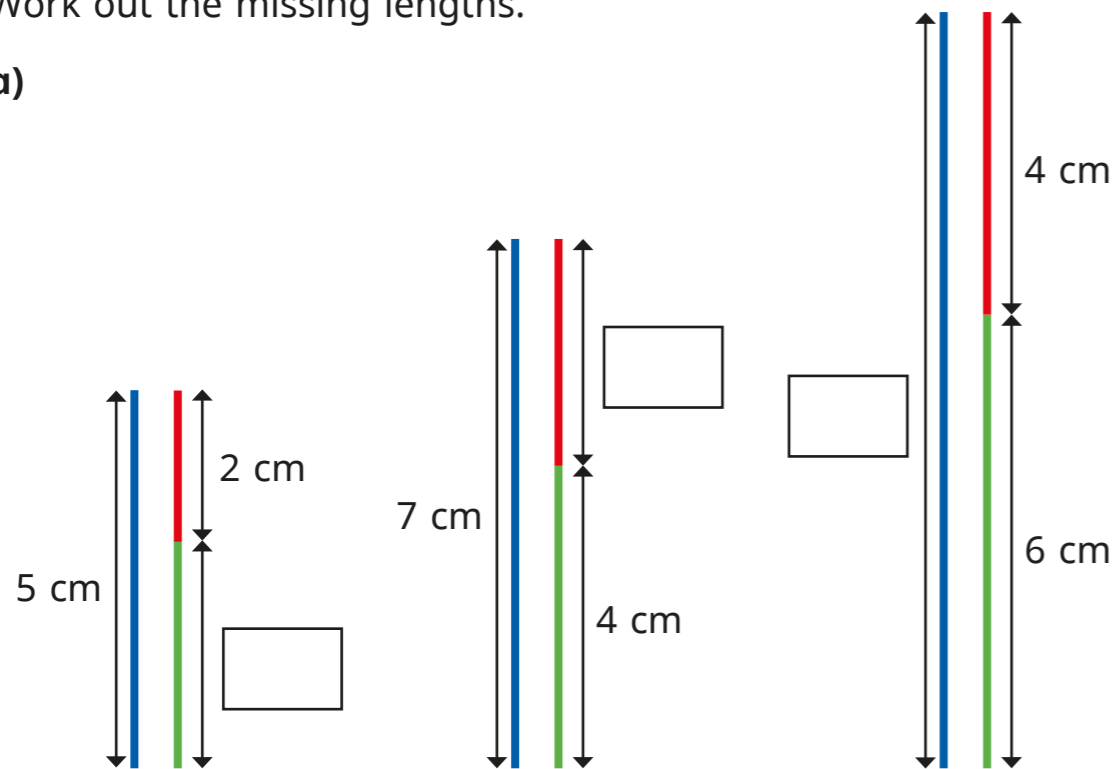


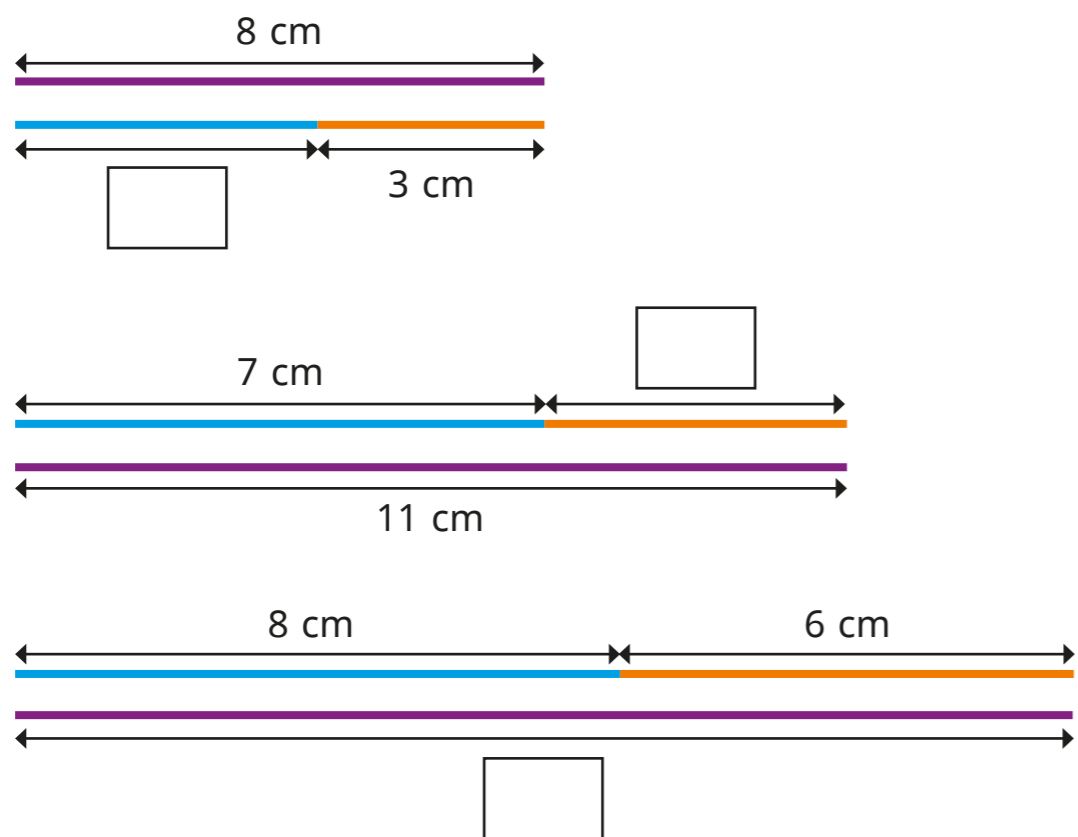
Find missing lengths in rectilinear shapes

1 Work out the missing lengths.

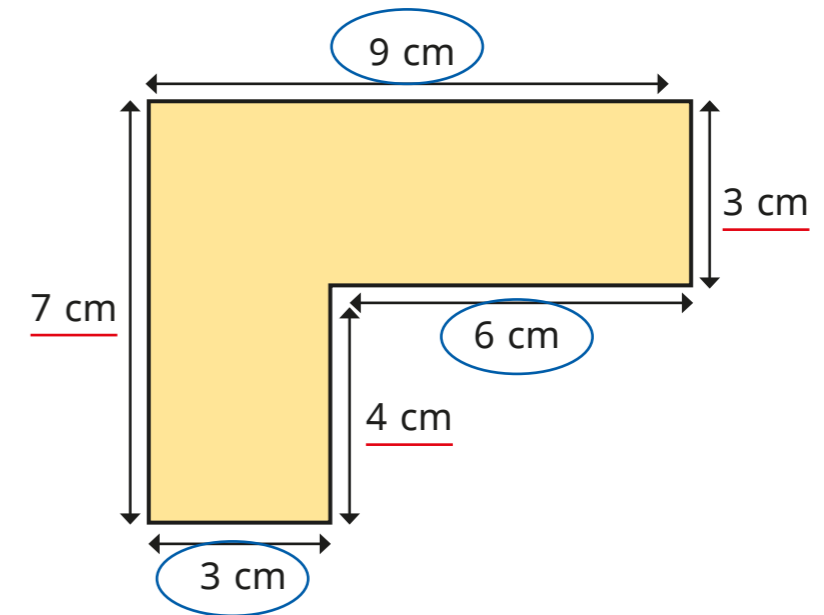
a)



b)



2 Max has drawn a rectilinear shape.

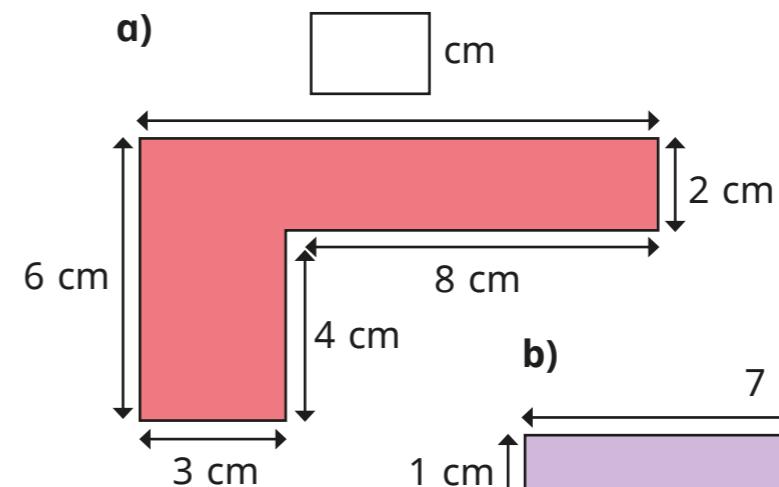


a) What do you notice about the lengths that have been circled?

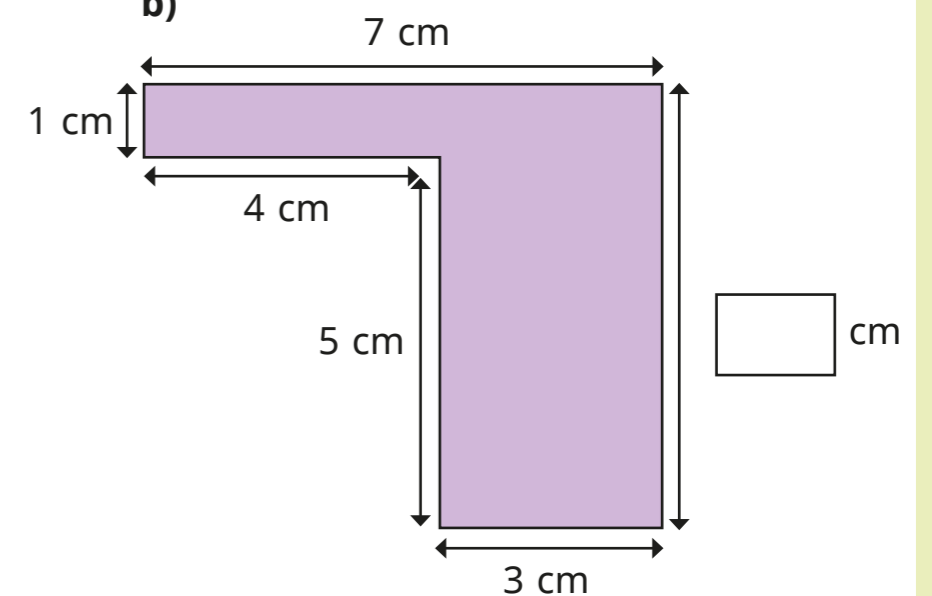
b) What do you notice about the lengths that have been underlined?

3 Work out the missing lengths.

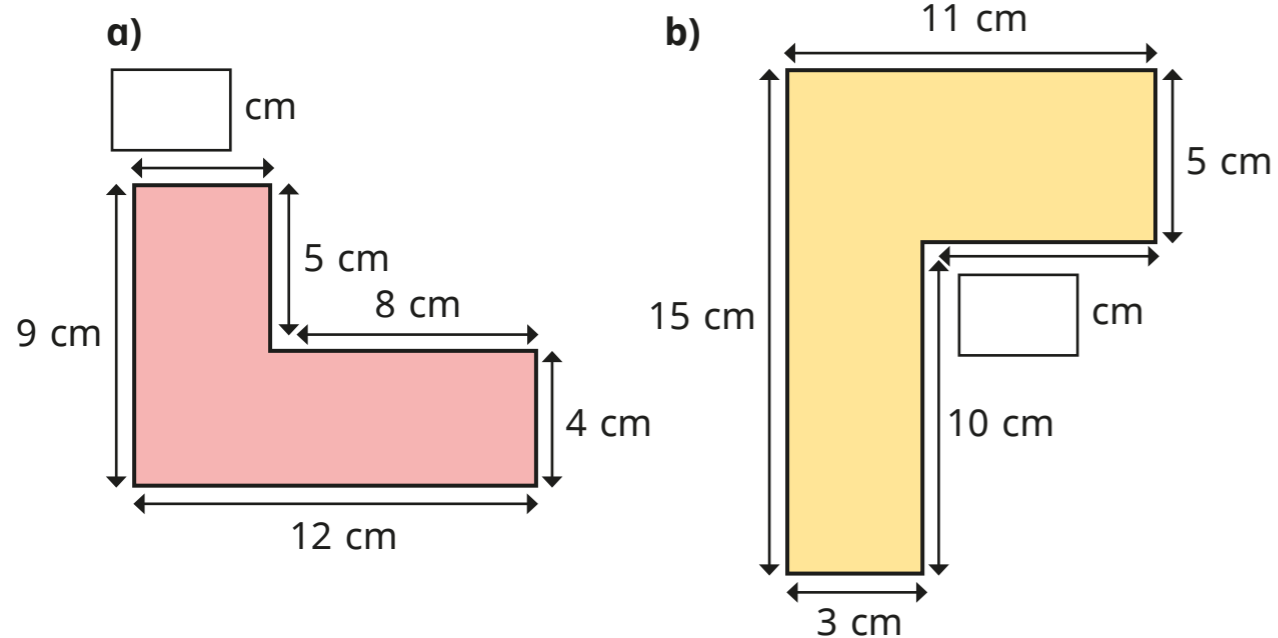
a)



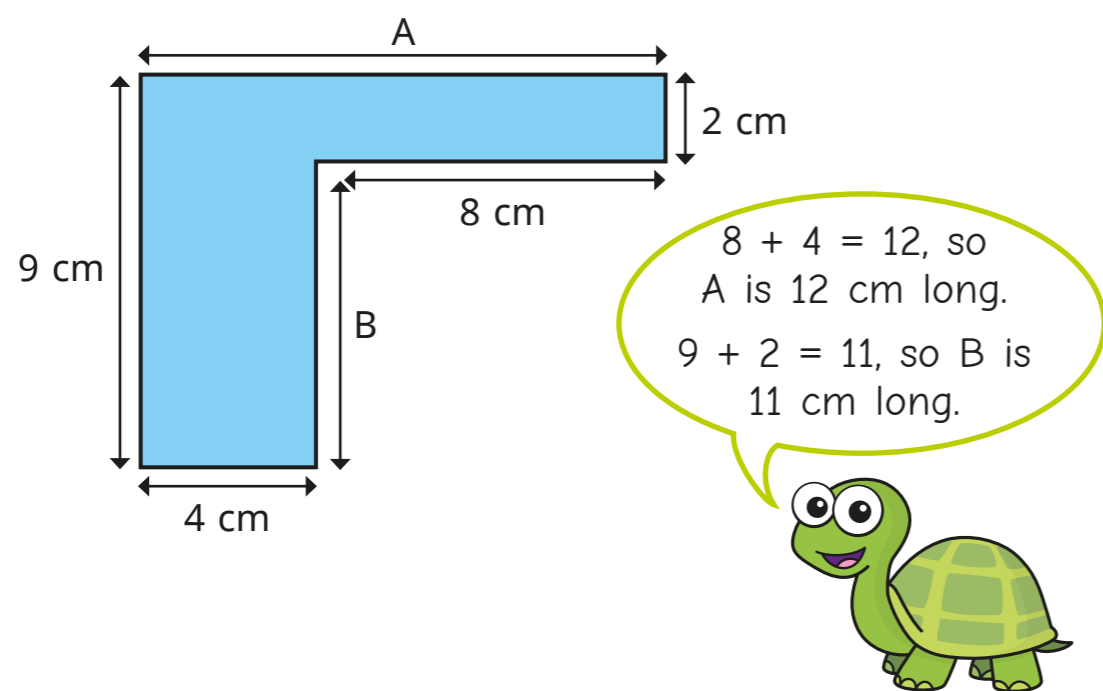
b)



4 Work out the missing lengths.



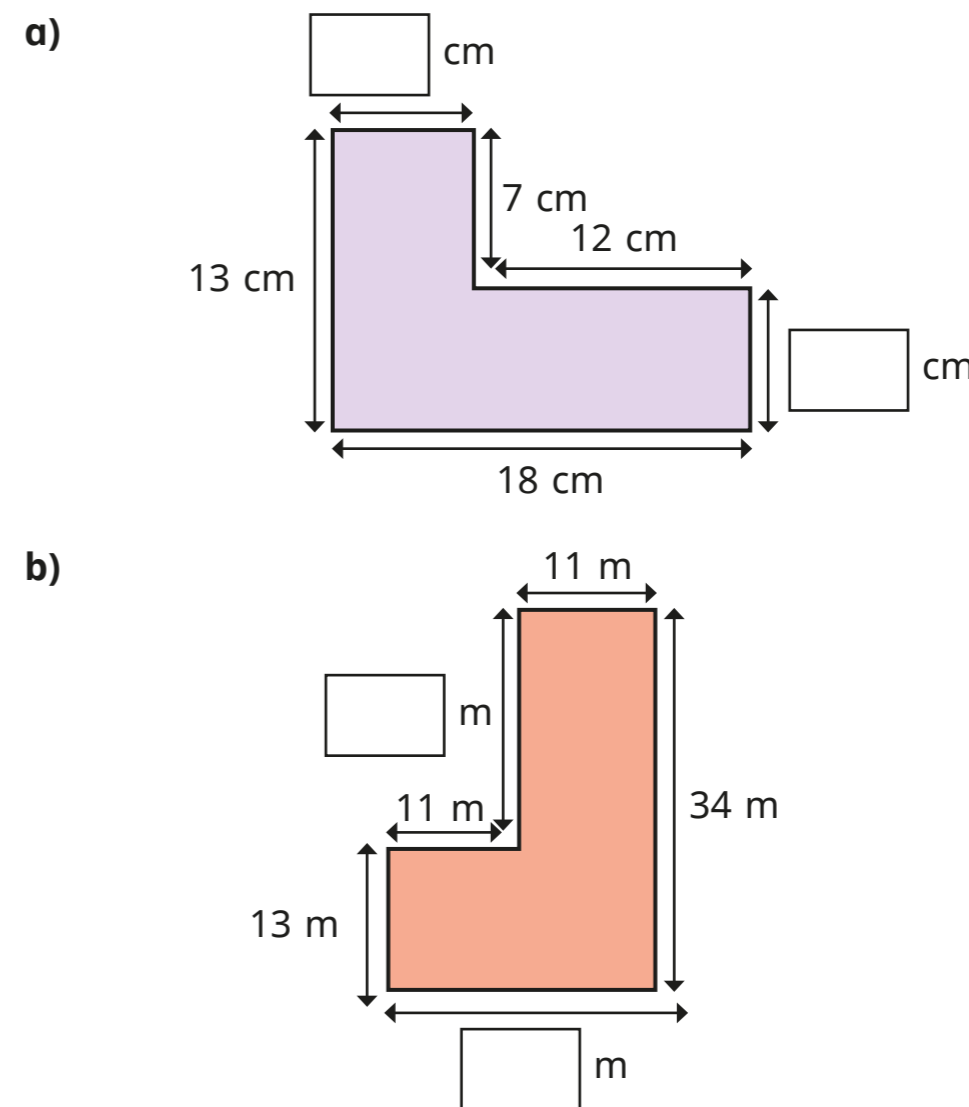
5 Tiny is trying to work out the lengths of A and B.



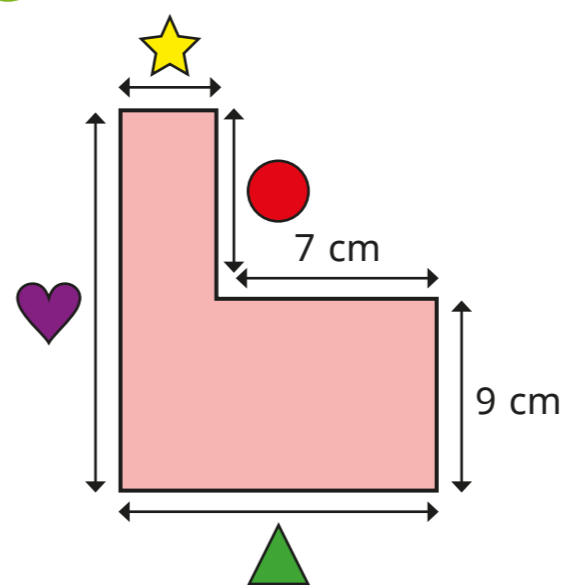
Do you agree with Tiny? _____

Explain your answer.

6 Work out the missing lengths.



7 Use the clues to work out the unknown lengths.



- ★ is half the size of ●
- ● is the second multiple of 3
- ▲ is equal to $\frac{2}{3}$ of ♥

★ = ● =

▲ = ♥ =